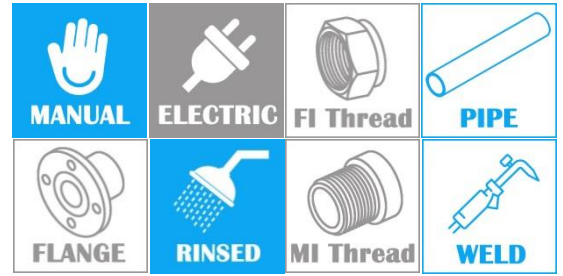
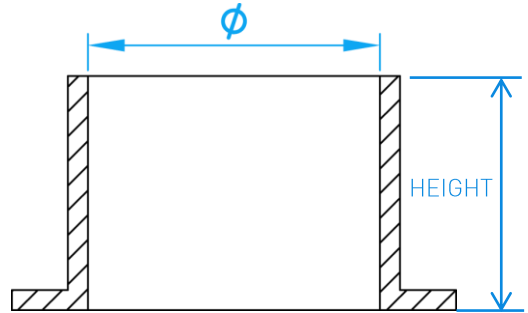


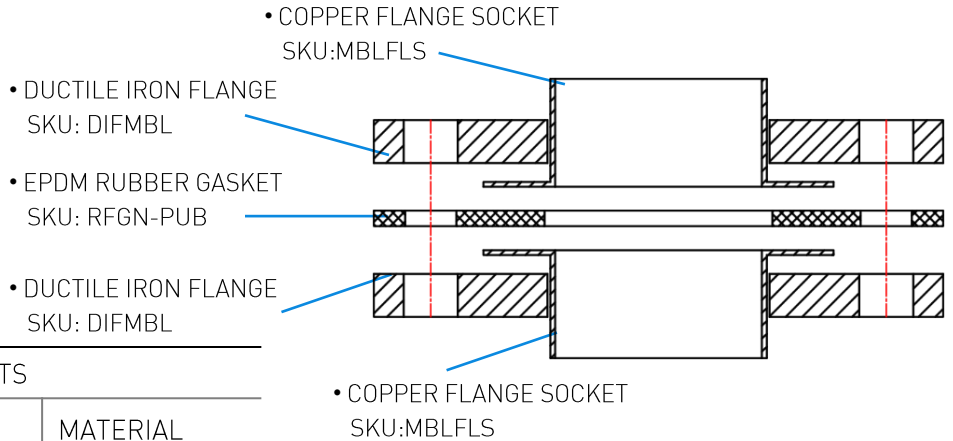
# COPPER CAPILLARY FITTINGS FLANGE SOCKET (COMPOSITE FEMALE FLANGE PN16)



COMPLY WITH BSEN1254-1:1998



CROSS SECTIONAL VIEW



INSTALLATION ASSEMBLY

COMPONENT PARTS

PARTS	MATERIAL
FLANGE SOCKET	COPPER

DIMENSIONS

SKU	SIZE (mm)	HEIGHT (mm)	WEIGHT (Kg)	PCS/CTN
MBLFLS020	22	17.0	0.040	100
MBLFLS025	28	19.5	0.045	100
MBLFLS035	35	23.0	0.045	170
MBLFLS042	42	28.0	0.056	170
MBLFLS050	54	28.5	0.082	75
MBLFLS065	67	35.0	0.148	40
MBLFLS080	76	36.0	0.172	30
MBLFLS100	108	50.0	0.228	12
MBLFLS150	159	50.0	0.550	4